

Wire Saddle

Nylon 66, 9.4 mm



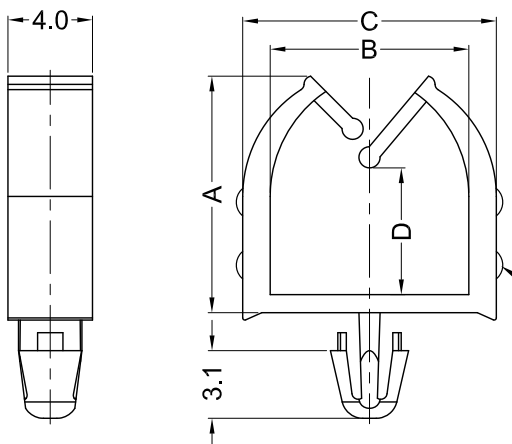
FEATURES:

Durable

Arrowhead mount

SPECIFICATION:

Material	Nylon 66
Colour	Natural
Affixing Method	Snap Lock
A	13 mm
B	9.4 mm
C	12 mm
D	7.7 mm
Hole Diameter	3.5±0.05 mm
Panel Thickness	1.6 mm



Art. Nr.

RND 610-00331